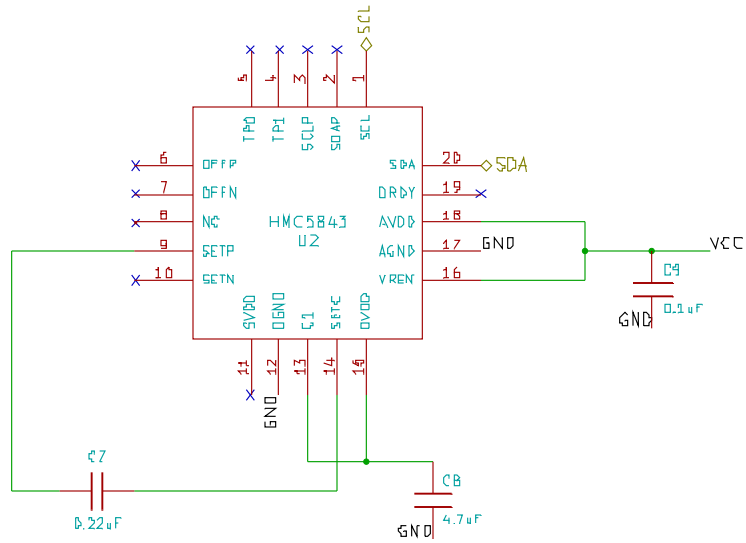


Fabio Varesano - varesano.net		
File: FreeIMU_factory.sch		
Sheet: /		
Title: FreeIMU - factory version		
Size: A4	Date: 8 dec 2010	Rev: 0.1
KiCad E.D.A. eeschema (2010-12-05 BZR 2643) - testing		Id: 1/4



Fabio Varesano - varesano.net

File: hmc5843.sch

Sheet: /HMC5843/

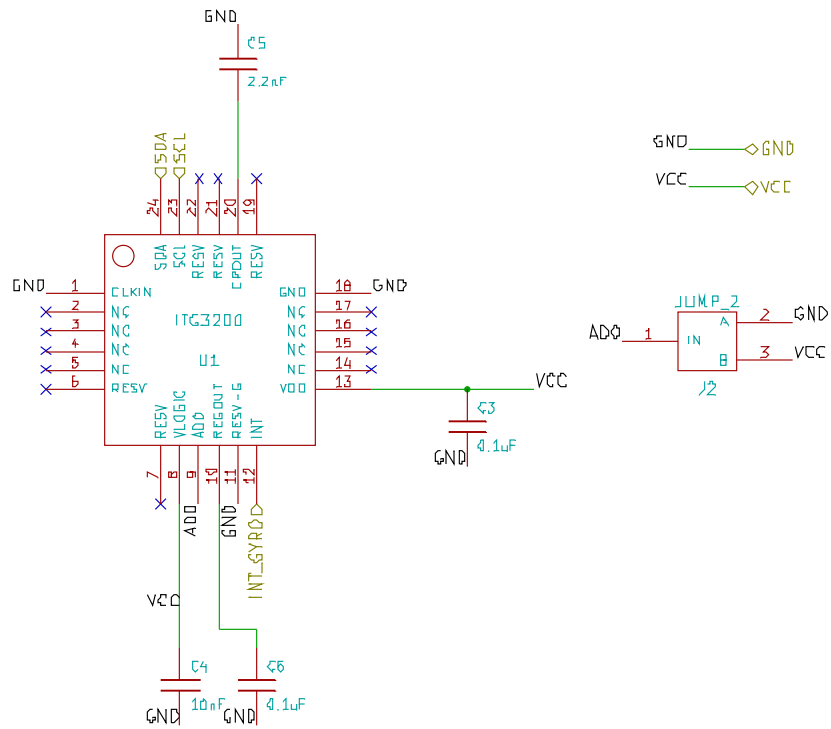
Title: HMC5843 component of FreeIMU

Size: A4 Date: 8 dec 2010

Rev: 0.1

KiCad E.D.A. eeschema (2010-12-05 BZR 2643) - testing

Id: 2/4



Fabio Varese - varese.net

File: itg3200.sch

Sheet: /ITG3200/

Title: ITG3200 component of FreeIMU

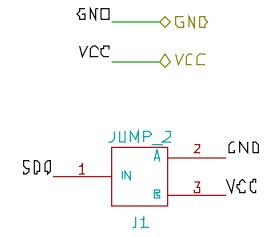
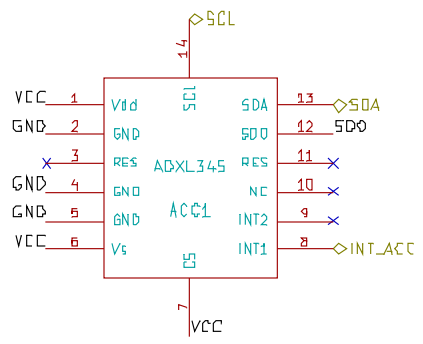
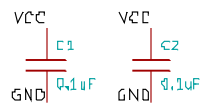
Size: A4

Date: 8 dec 2010

Rev: 0.1

KiCad E.D.A. eeschema (2010-12-05 BZR 2643) - testing

Id: 3/4



Fabio Varesano - varesano.net		
File: adxl345.sch		
Sheet: /ADXL345/		
Title: ADXL345 component of FreeRTOS		
Size: A4	Date: 8 dec 2010	Rev: 0.1
KiCad E.D.A. eeschema (2010-12-05 BZR 2643) - testing		Id: 4/4