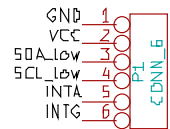
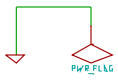
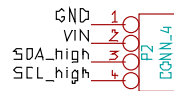


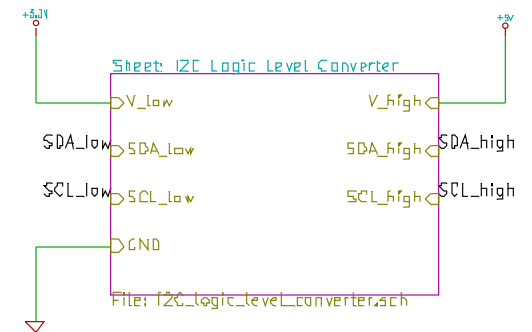
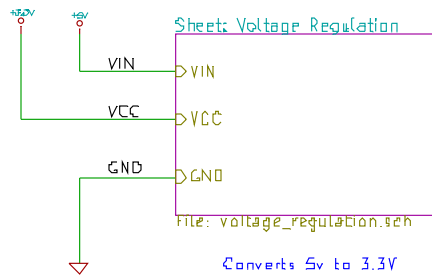
Kicad specific stuff for ERC validation.
This doesn't correspond to any specific component.



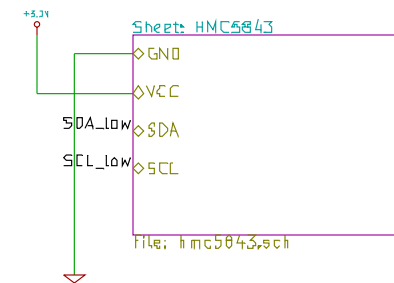
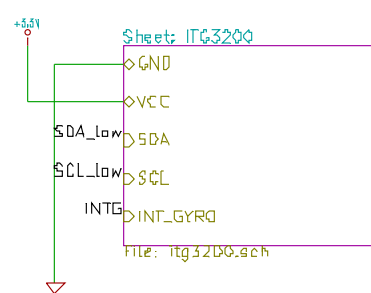
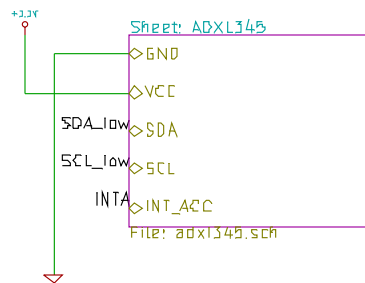
3.3V I2C communication



5V I2C communication



Converts 5v I2C to 3.3V I2C and vice-versa



Fabio Varesano - varesano.net

File: FreeIMU_factory.sch

Sheet: /

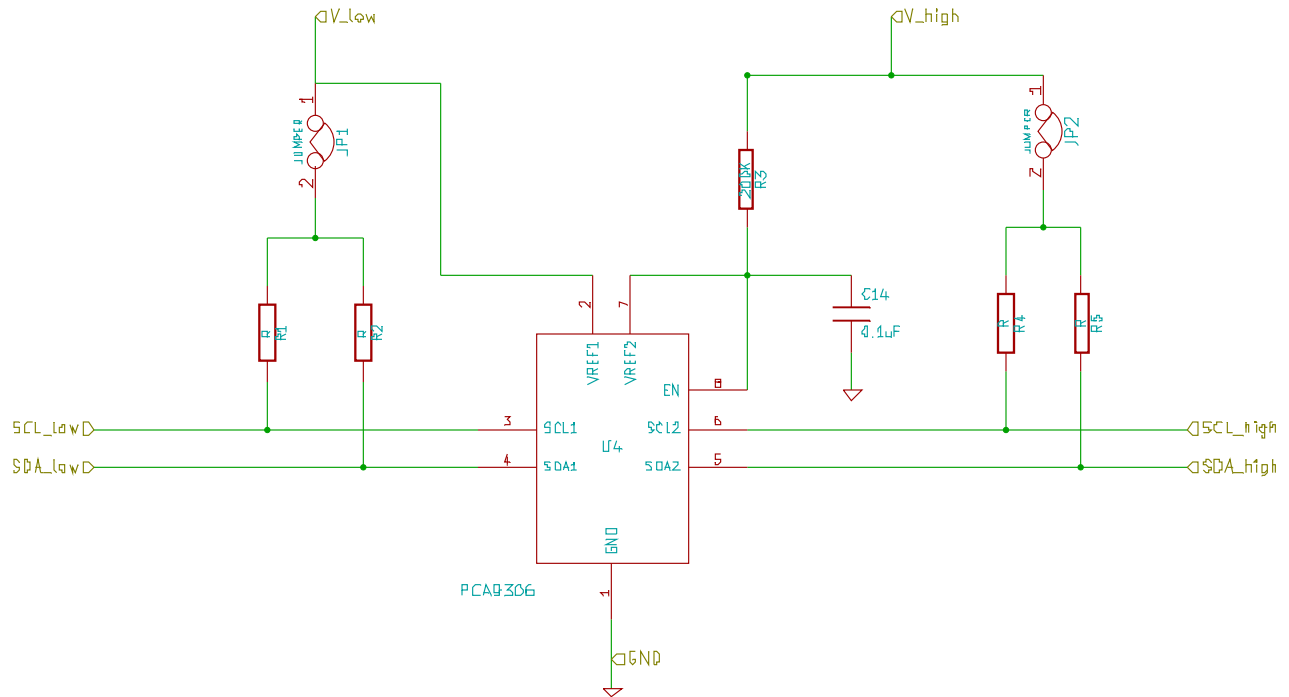
Title: FreeIMU - factory version

Size: A4 Date: 3 jan 2011

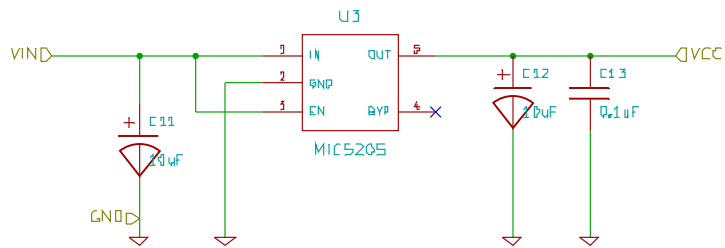
Rev: 0.2

KiCad E.D.A. eeschema (2011-02-01 BZR 2779) - testing

Id: 1/6



Fabio Varesano - varesano.net		
File: I2C_logic_level_converter.sch		
Sheet: /I2C Logic Level Converter/		
Title: FreeNU - factory version		
Size: A4	Date: 3 jan 2011	Rev: 0.2
KiCad E.D.A. eeschema (2011-02-01 BZR 2779) - testing		Id: 2/6



Fabio Varesano - varesano.net

File: voltage_regulation.sch

Sheet: /Voltage Regulation/

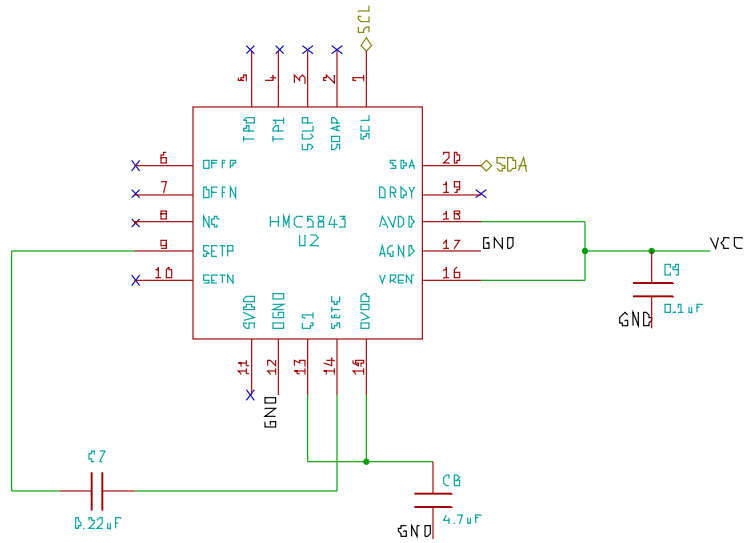
Title: FreeRTOS - factory version

Size: A4 Date: 3 jan 2011

Rev: 0.2

KiCad E.D.A. eeschema (2011-02-01 BZR 2779) - testing

Id: 3/6



Fabio Varesano - varesano.net

File: hmc5843.sch

Sheet: /HMC5843/

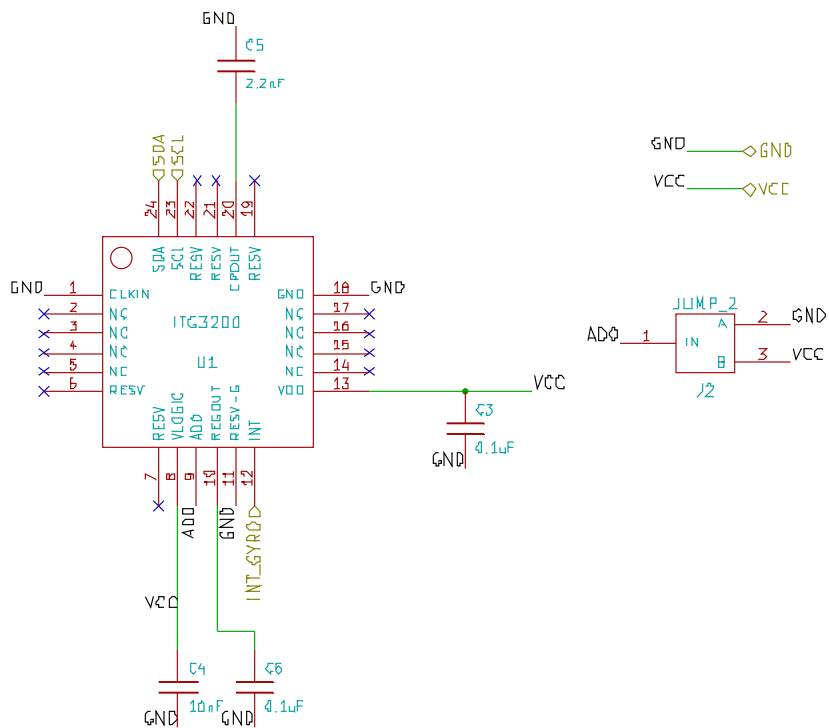
Title: FreeNU - factory version

Size: A4 Date: 3 jan 2011

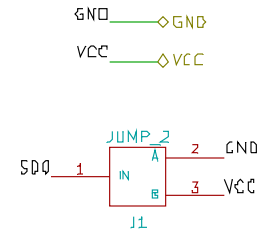
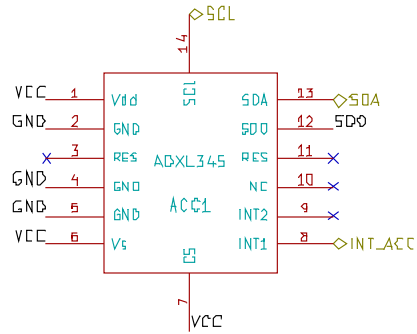
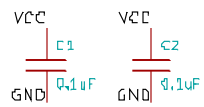
Rev: 0.2

KiCad E.D.A. eeschema (2011-02-01 BZR 2779) - testing

Id: 4/6



Fabio Varese - varese.net		
File: itg3200.sch		
Sheet: /ITG3200/		
Title: FreeNU - factory version		
Size: A4	Date: 3 jan 2011	Rev: 0.2
KiCad E.D.A. eeschema (2011-02-01 BZR 2779) - testing		Id: 5/6



Fabio Varesano - varesano.net

File: adxl345.sch

Sheet: /ADXL345/

Title: FreeNU - factory version

Size: A4 Date: 3 jan 2011

Rev: 0.2

KiCad E.D.A. eeschema (2011-02-01 BZR 2779) - testing

Id: 6/6