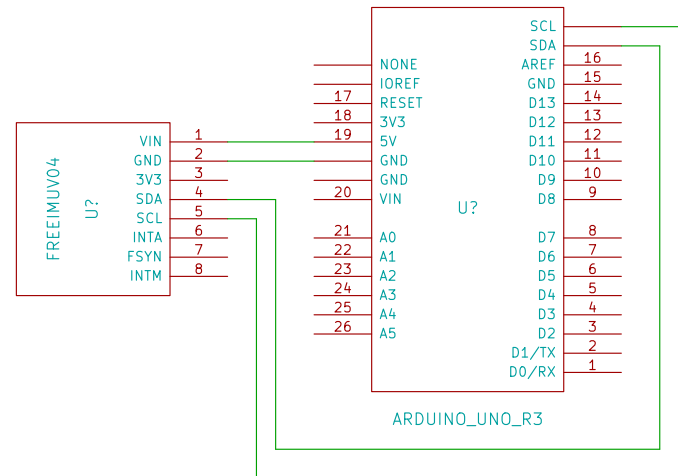


FreeIMU v0.4 connected to Arduino Duemilanove or UNO R1 or UNO R2



FreeIMU v0.4 connected to any Arduino following the UNO R3 shield layout: Arduino UNO R3, Arduino Leonardo

IMPORTANT NOTE: Arduino Mega is not compatible with direct connection. A logic level converter or removing the integrated 5V I2C pullups on the Mega is needed.

File: connections.sch		Rev:	
Sheet: /		Id: 1/1	
Title: noname.sch			
Size: A4	Date: 10 nov 2012		
KiCad E.D.A.			