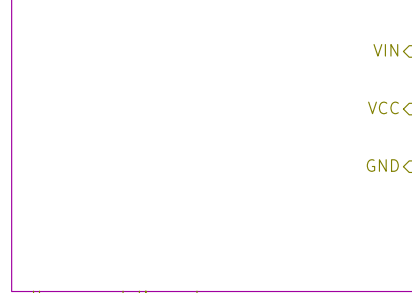
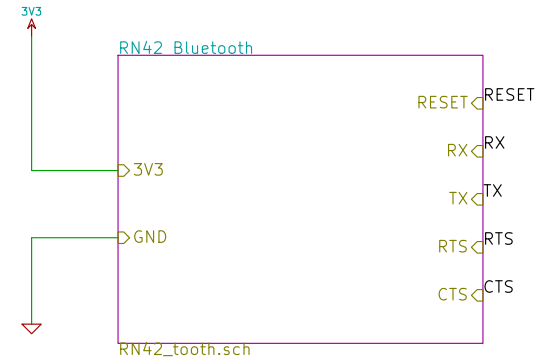


Voltage Regulation

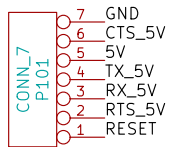
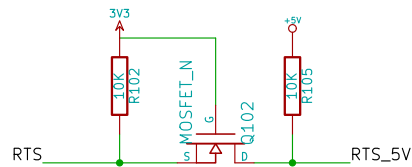
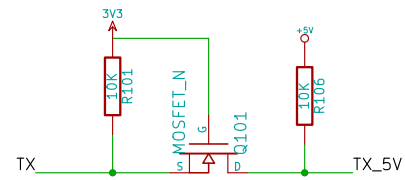


voltage_regulation.sch



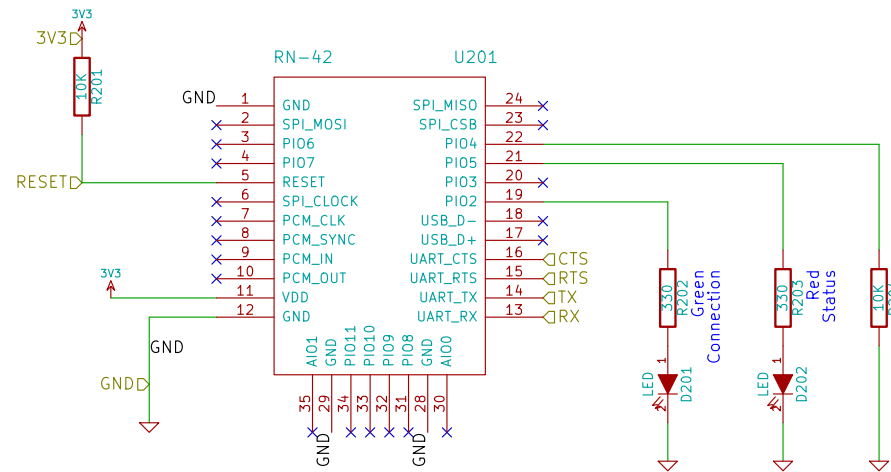
RN42 Bluetooth

RN42_tooth.sch

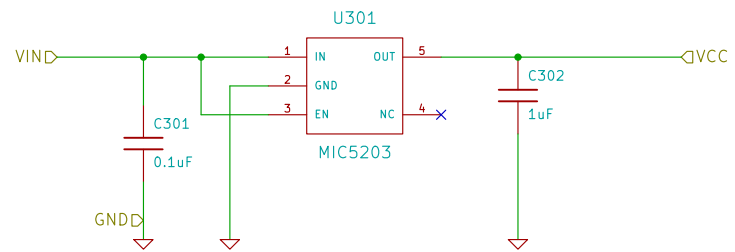


KiCAD specific stuff.
Just for ERC validation.

Released under CC-BY-SA 3.0 Unported http://creativecommons.org/licenses/by-sa/3.0/		
Fabio Varesano – varesano.net		
File: LibreTooth.sch		
Sheet: /		
Title: LibreTooth		
Size: A4	Date: 30 jul 2011	Rev: 0.1
KiCad E.D.A.		Id: 1/3



Released under CC-BY-SA 3.0 Unported
<http://creativecommons.org/licenses/by-sa/3.0/>
Fabio Varesano - varesano.net
 File: RN42_tooth.sch
 Sheet: /RN42 Bluetooth/
Title: LibreTooth
 Size: A4 **Date: 30 jul 2011** **Rev: 0.1**
 KiCad E.D.A. Id: 2/3



Released under CC-BY-SA 3.0 Unported http://creativecommons.org/licenses/by-sa/3.0/		
Fabio Varesano - varesano.net		
File: voltage_regulation.sch		
Sheet: /Voltage_Regulation/		
Title: FreeIMU		
Size: A4	Date: 30 jul 2011	Rev: 0.1
KiCad E.D.A.		Id: 3/3